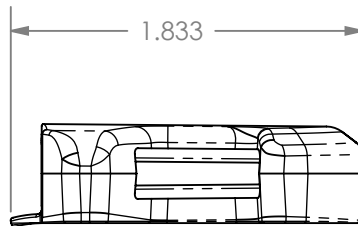
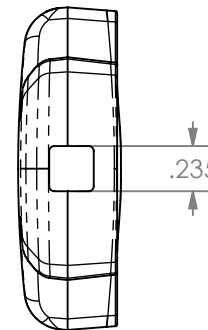
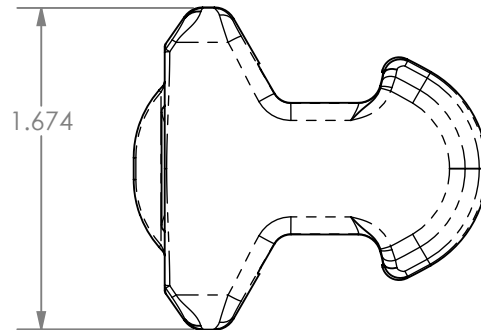
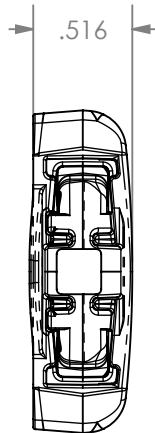


NOTES:

- PARTS MUST CONFORM TO FASTEX CLASS "B" WORKMANSHIP STANDARDS. CONTACT CUSTOMER SERVICE FOR VALID MATERIAL END CODES, BOX SIZE, BOX QUANTITY, ETC.

REV	CHANGE	BY	DATE
1	SALES PRINT CREATED	JRH	10-27-03



SALES PRINT

THE INFORMATION CONTAINED IN THIS DRAWING IS THE SOLE PROPERTY OF ITW NEXUS. ANY REPRODUCTION IN PART OR WHOLE WITHOUT THE WRITTEN PERMISSION OF ITW NEXUS IS PROHIBITED. IT IS THE RESPONSIBILITY OF THE CUSTOMER TO DETERMINE THE SUITABILITY OF ITW NEXUS PRODUCTS IN THEIR APPLICATION.

UNLESS OTHERWISE SPECIFIED
DIMENSIONS ARE IN INCHES
TOLERANCES ARE:
FRACTIONS DECIMALS ANGLES
±.030" ±1°
DO NOT SCALE DRAWING

CAD GENERATED DRAWING, DO NOT MANUALLY UPDATE	
APPROVALS	DATE
DRAWN JRH	10-27-03
CHECKED	
RESP ENG	
MFG ENG	

ITW Nexus
An Illinois Tool Works Company
195 Algonquin Road
Des Plaines, IL 60016, USA
P: (847) 299-2222 F: (847) 390-6183

PART NAME
GT SURFACE MOUNT BODY

SIZE DWG. NO. REV. 1 10-27-03
A
SCALE FULL

PART NO. 810-1059- SHEET 1 OF 1